

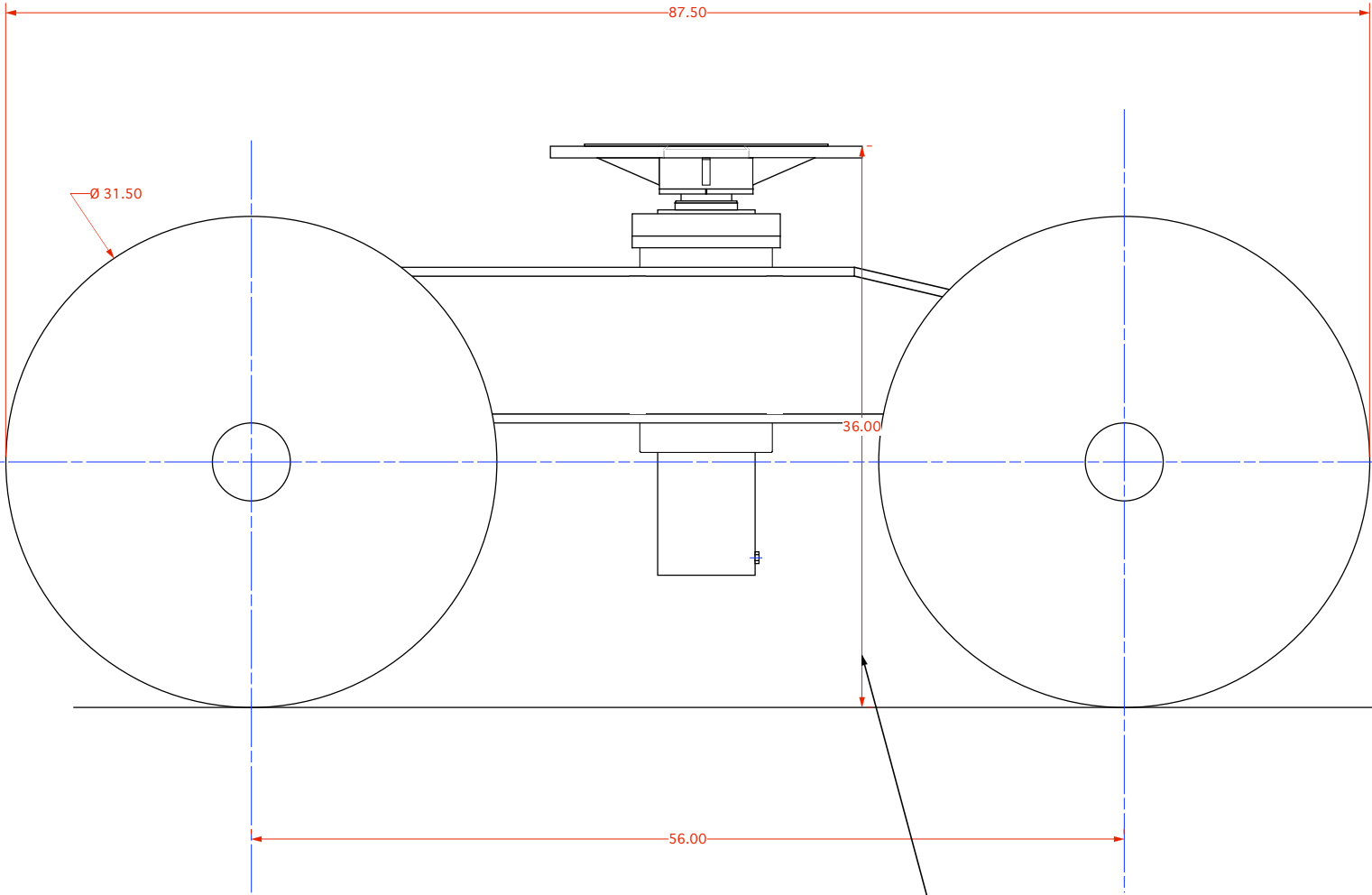
4

3

2

1

ISSUE #	DATE	DESCRIPTION	APPD



Drawing for 17.5 Tires.
Do not scale print.
Unloaded Height is than 37 inches

Holland Moving & Rigging			
TITLE <i>Side View of Dollie, 17.5</i>			
PART NUMBER	DRAWN BY <i>CH</i>	DATE <i>4/30/01</i>	
CAD FILE NAME <i>Side View, 17.5</i>	APPROVALS	SIZE C	

4

3

2

1